



US00D684210S

(12) **United States Design Patent**
Boyle et al.

(10) **Patent No.:** **US D684,210 S**
(45) **Date of Patent:** **** Jun. 11, 2013**

(54) **CAMERA MOUNTING AND POSITIONING DEVICE**

(75) Inventors: **Christopher T. Boyle**, San Antonio, TX (US); **Scott Taylor**, San Antonio, TX (US); **Alexander G. Sammons**, San Antonio, TX (US); **John T. O'Callaghan**, San Antonio, TX (US); **Christian Elder**, Baltimore, MD (US)

(73) Assignee: **H4 Engineering, Inc.**, San Antonio, TX (US)

(**) Term: **14 Years**

(21) Appl. No.: **29/414,908**

(22) Filed: **Mar. 5, 2012**

(51) **LOC (9) Cl.** **16-05**

(52) **U.S. Cl.**
USPC **D16/242**

(58) **Field of Classification Search**
USPC D16/219, 235, 237, 242–245, 250, D16/200–204, 208; D14/217, 240, 511; 248/176.1, 177.1, 178.1, 179.1, 180.1, 183.1, 248/187.1, 683; 348/373, 375; 396/419–420, 396/535; D8/394, 395; D13/156

See application file for complete search history.

(56) **References Cited**

U.S. PATENT DOCUMENTS
D412,338 S * 7/1999 Goto et al. D16/239
D478,608 S * 8/2003 Briks et al. D16/237
D492,295 S * 6/2004 Glatt D14/240
D529,447 S * 10/2006 Greenfield D13/156
D606,492 S * 12/2009 Steinfeld D13/119
D653,693 S * 2/2012 Jannard et al. D16/243
D658,700 S * 5/2012 Jannard et al. D16/237

* cited by examiner

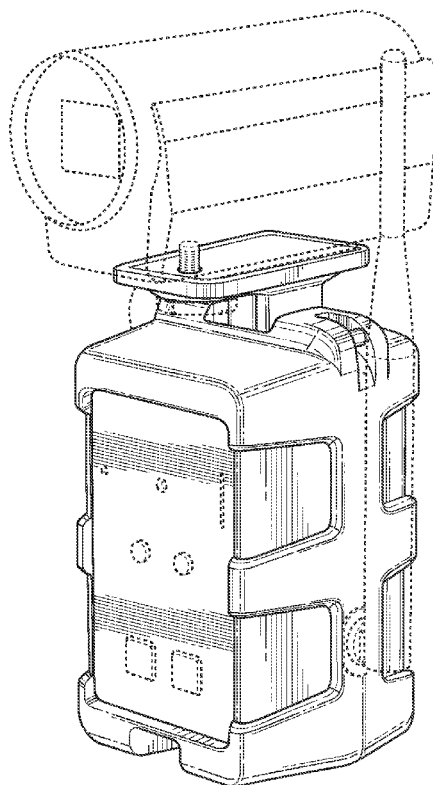
Primary Examiner — Susan Bennett Hattan
Assistant Examiner — Vy Koenig
(74) *Attorney, Agent, or Firm* — Michael D. Volk, Jr.

(57) **CLAIM**
The ornamental design for a camera mounting and positioning device, as shown and described.

DESCRIPTION

FIG. 1 is an isometric perspective view from the right and front of our new design;
FIG. 2 is a back elevation view thereof;
FIG. 3 is a front elevation view thereof;
FIG. 4 is a right side elevation view thereof;
FIG. 5 is a left side elevation view thereof;
FIG. 6 is a top plan view thereof; and,
FIG. 7 is a bottom plan view thereof.
The broken lines in the drawings depict features that form no part of the claimed design.

1 Claim, 4 Drawing Sheets



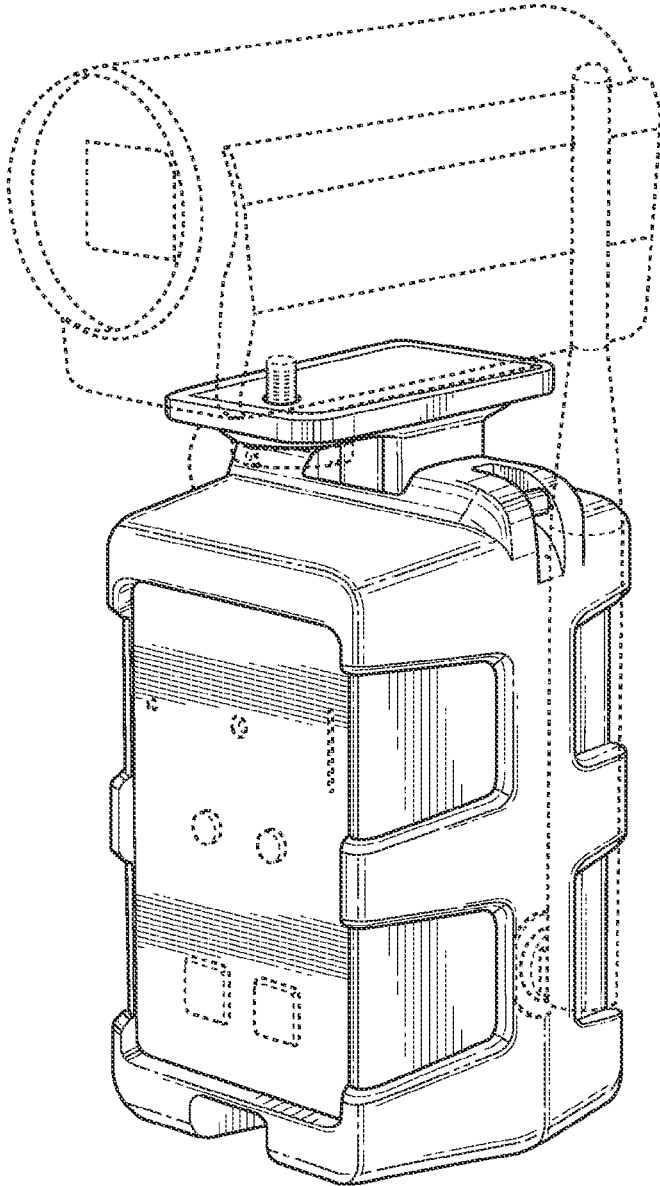


FIG. 1

FIG. 2

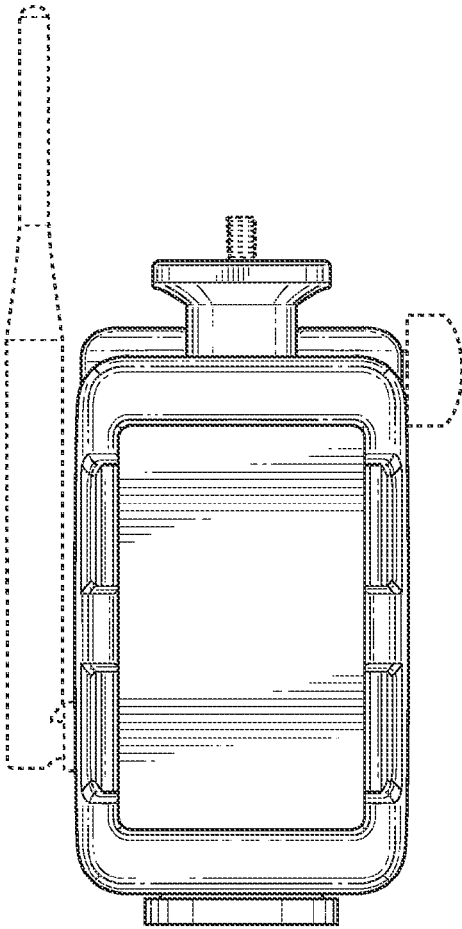
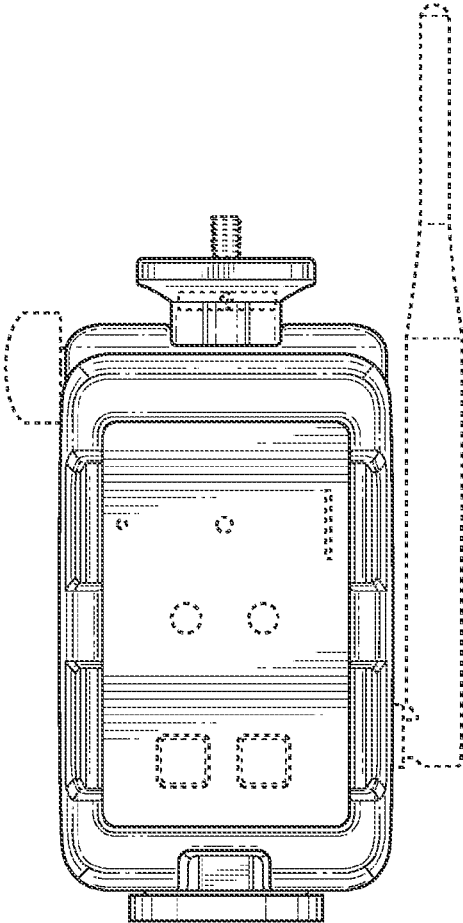


FIG. 3



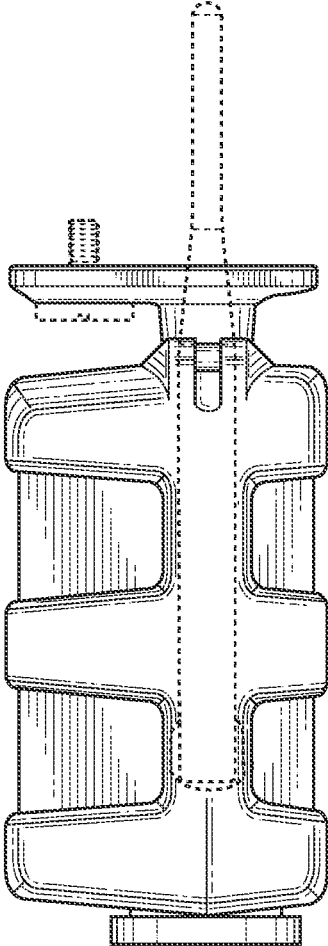


FIG. 4

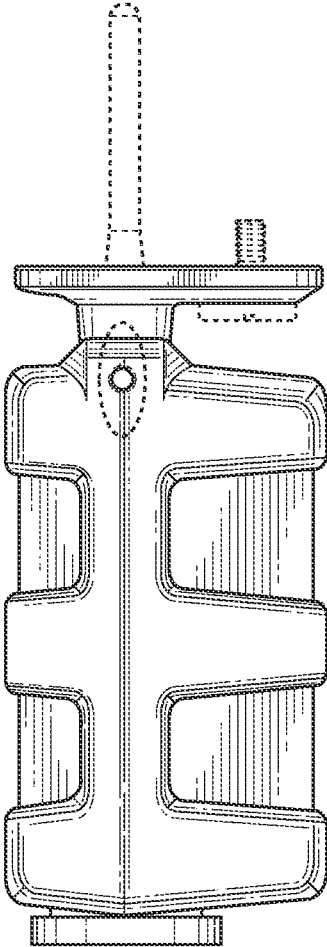


FIG. 5

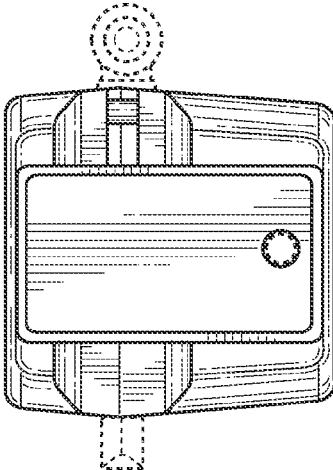


FIG. 6

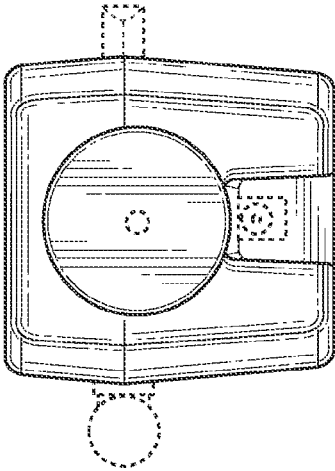


FIG. 7