



US00D704762S

(12) **United States Design Patent**
Boyle et al.

(10) **Patent No.:** **US D704,762 S**

(45) **Date of Patent:** **** May 13, 2014**

(54) **MOUNTING AND POSITIONING UNIT FOR ELECTRONIC RECORDING DEVICE**

(75) Inventors: **Christopher T. Boyle**, San Antonio, TX (US); **Scott Taylor**, San Antonio, TX (US); **Alexander G. Sammons**, San Antonio, TX (US); **John T. O'Callaghan**, San Antonio, TX (US)

(73) Assignee: **H4 Engineering, Inc.**, San Antonio, TX (US)

(**) Term: **14 Years**

(21) Appl. No.: **29/415,031**

(22) Filed: **Mar. 6, 2012**

(51) **LOC (10) Cl.** **16-05**

(52) **U.S. Cl.**
USPC **D16/242**

(58) **Field of Classification Search**
USPC D16/237, 239, 240; D26/24, 37-38, 63, D26/110, 113, 129; 362/3, 16-18, 182, 552, 362/612; D13/180, 182, 103, 107, 108; D9/432; D7/601-608
See application file for complete search history.

(56) **References Cited**

U.S. PATENT DOCUMENTS

D121,995 S *	8/1940	May	D9/432
D200,604 S *	3/1965	Waterman	D9/432
D207,806 S *	5/1967	Braun	D9/423
D295,739 S *	5/1988	Lanci et al.	D13/103

D343,354 S *	1/1994	Ashley et al.	D9/423
D412,338 S *	7/1999	Goto et al.	D16/239
D591,231 S *	4/2009	Wung et al.	D13/103
D592,131 S *	5/2009	Heinzen et al.	D13/103
D604,605 S *	11/2009	Chung et al.	D9/432
D623,124 S *	9/2010	Nomi et al.	D13/103
D684,210 S *	6/2013	Boyle et al.	D16/242
D687,768 S *	8/2013	Minamikawa	D13/107
D689,017 S *	9/2013	Ambrose et al.	D13/103
D690,199 S *	9/2013	Lee et al.	D9/432

* cited by examiner

Primary Examiner — Susan Bennett Hattan

Assistant Examiner — Vy Koenig

(74) *Attorney, Agent, or Firm* — Michael D. Volk, Jr.

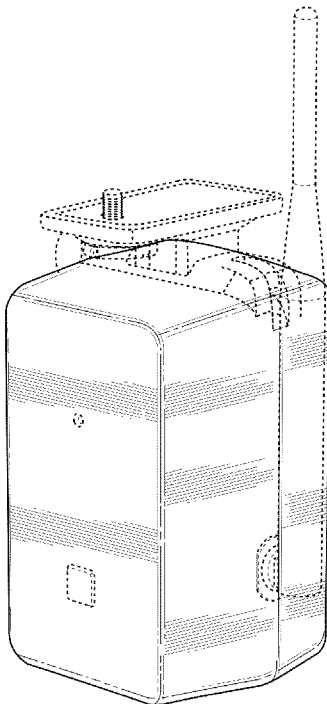
(57) **CLAIM**

The ornamental design for a mounting and positioning unit for electronic recording device, as shown and described.

DESCRIPTION

FIG. 1 is an isometric perspective view from the right and front of our new design;
FIG. 2 is a back elevation view thereof;
FIG. 3 is a front elevation view thereof;
FIG. 4 is a right side elevation view thereof;
FIG. 5 is a left side elevation view thereof;
FIG. 6 is a top plan view thereof; and,
FIG. 7 is a bottom plan view thereof.
The features shown in broken lines depict environmental features that form no part of the claimed design.

1 Claim, 4 Drawing Sheets



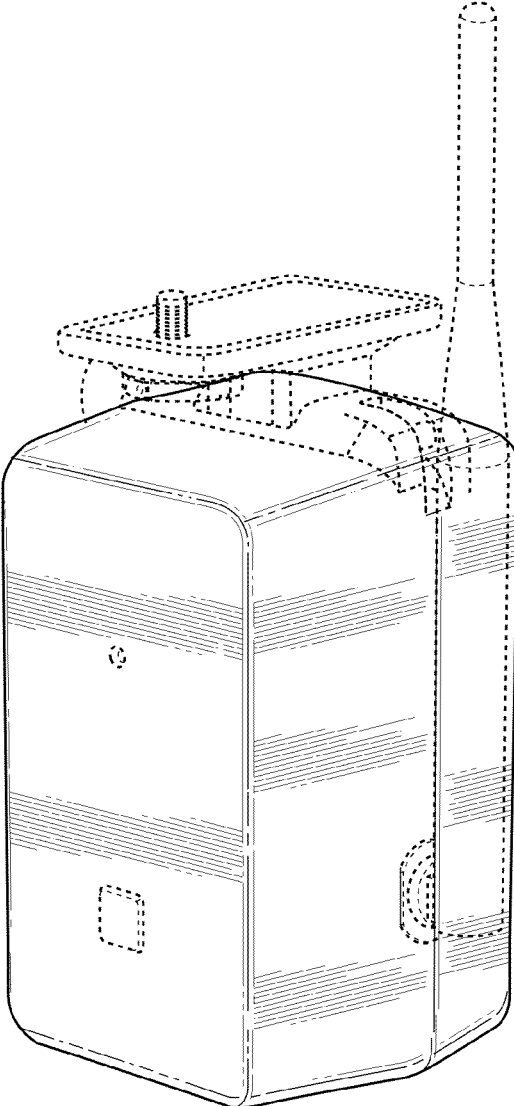


FIG. 1

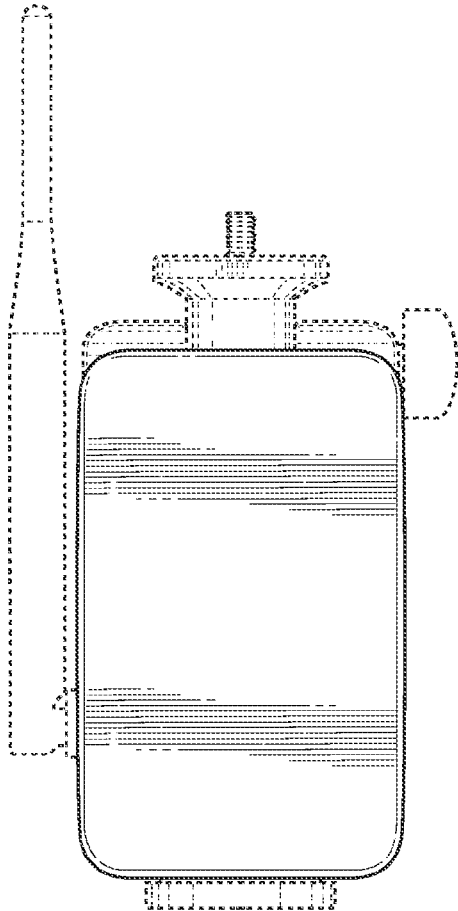


FIG. 2

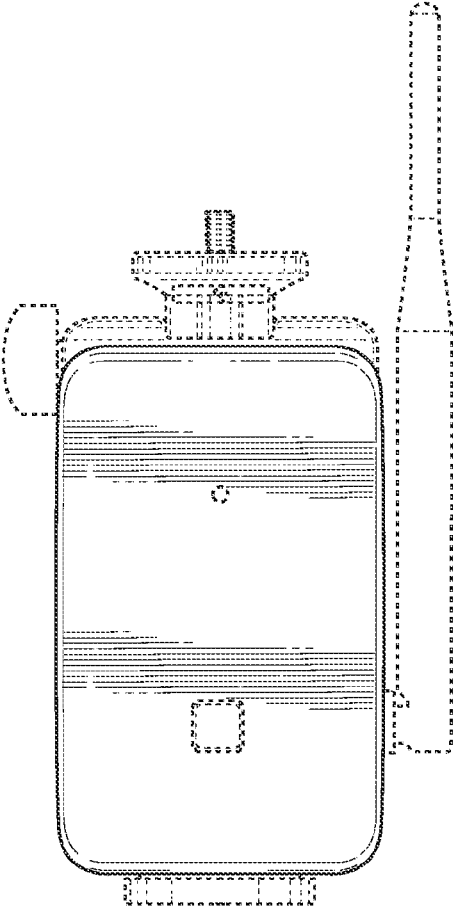


FIG. 3

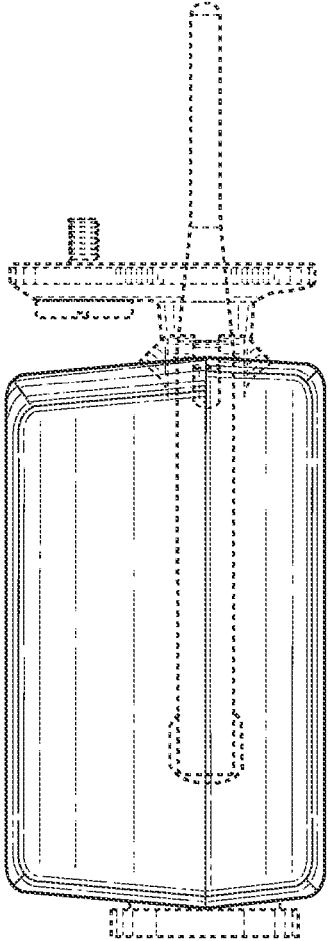


FIG. 4

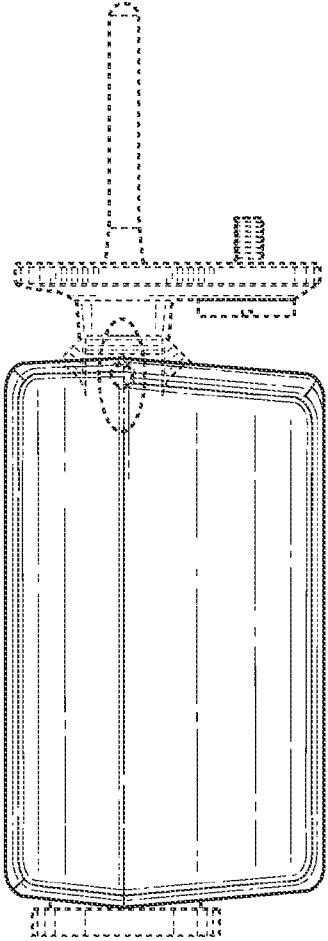


FIG. 5

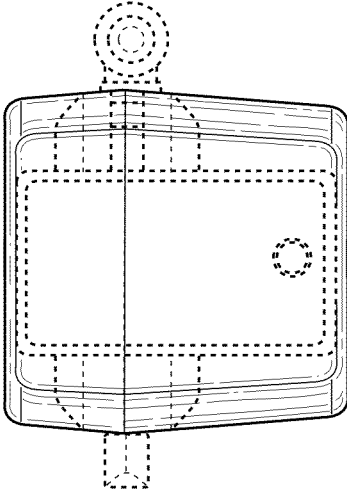


FIG. 6

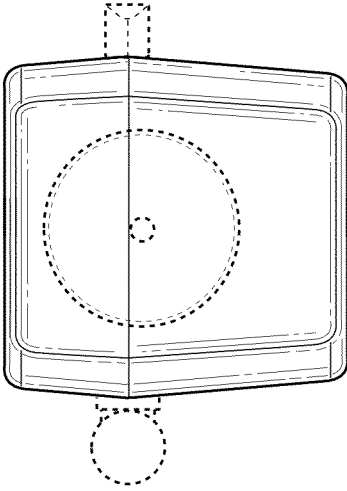


FIG. 7